

RIDDHI MACHINE TOOL TECHNOLOGY

COMPANY PROFILE

RIDDHI Machine Tool Technology is founded by two highly experienced Mechanical Engineers in the field of Manufacturing engineering. A combined high skilled experience working with international companies of over 25+ years in Machine tool, Cutting tool and Automotive industry bringing global Technology expertise in handling various customer segments and technologies.

Year of foundation : 2013

No of Employees : 10

RM TT Objective is to bring our manufacturing knowledge to all our customers with a key focus of

- Customer Oriented
- Technology Oriented
- Service Oriented



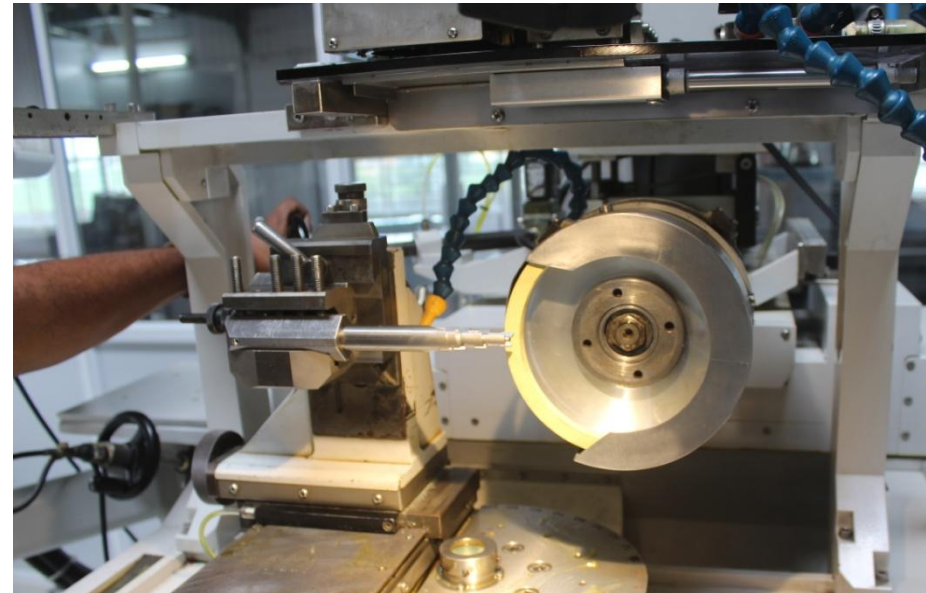
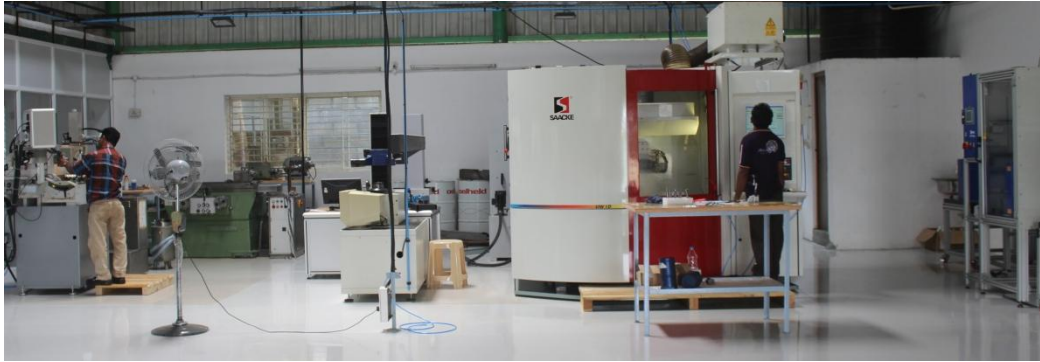
TECHNOLOGY PRODUCTS : Manufacturing

With an AIM of "Make in INDIA" we have installed state of art SAACKE 5 Axis tool grinding machine, Swiss cylindrical grinding machine and edge honing , polishing machine.

The tools made are of "German Quality levels" but made in INDIA.

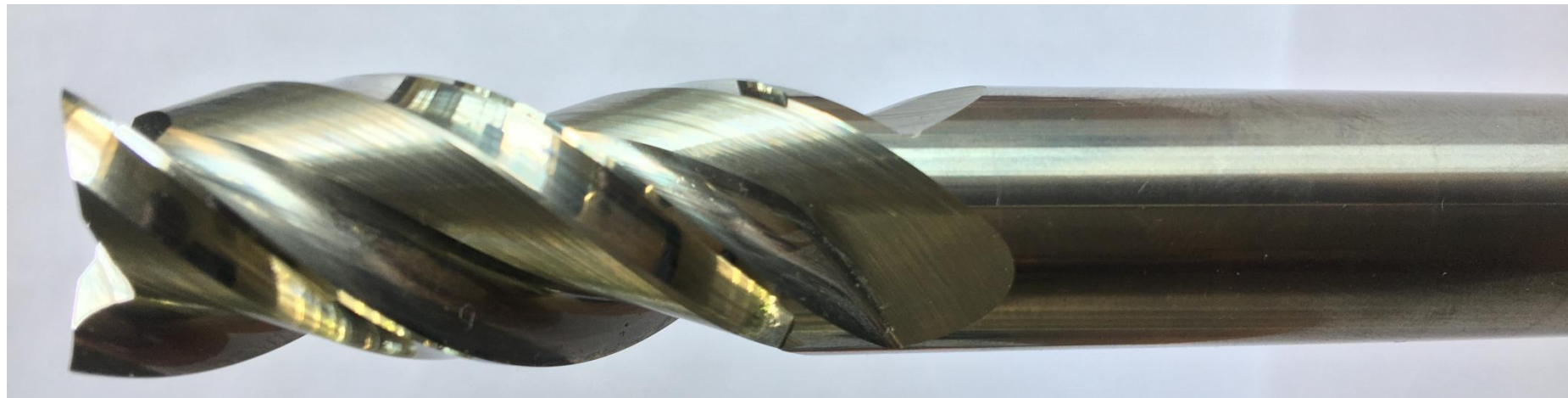
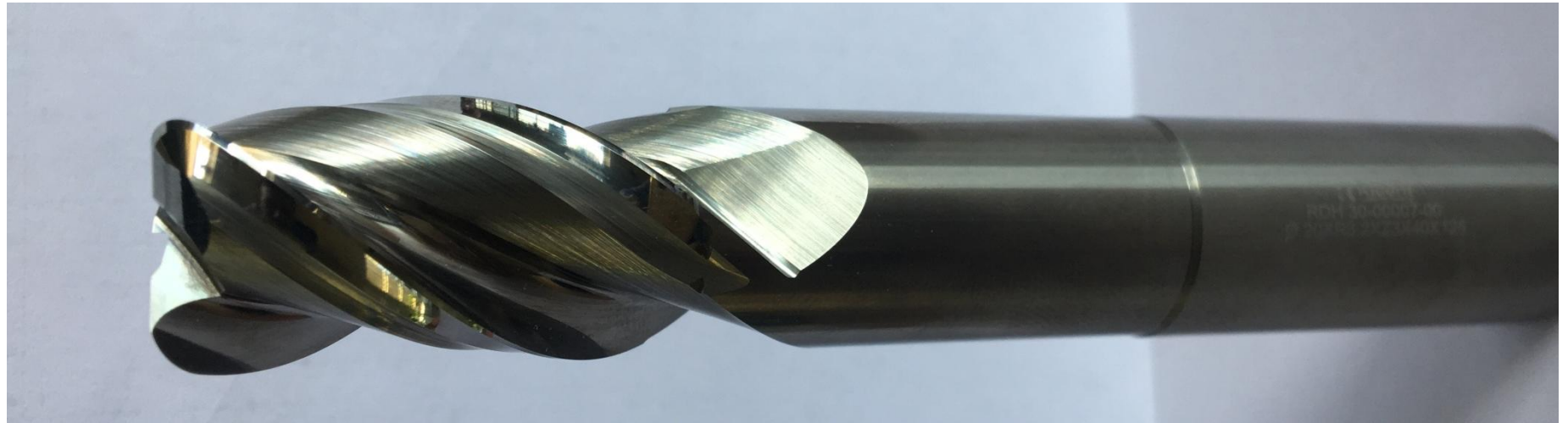
We offer

- High precision special solid carbide drills.
- High performance Solid carbide reamers to meet exact your part requirements.
- End mills
- All tools are offered with internal coolant supply and latest coatings.
- Edge preparation and polishing is our standard features for increased parameters and tool life.





Special drills, Step tools , Hole mill , Reamers



High Polished End mills for Aluminium

TECHNOLOGY PRODUCTS :

To suit to our manufacturing we offer High precision Tools holders and allied standard products from Germany and Italy as following

- High Precision Tool holders form Schüssler, Germany – Exclusive partners.
- High precision ER collets and Centro-P Holders from FAHRION, Germany
- PCD Tools - UC Tools, Germany
- Standard drills, End mills , Gun drills HSS-E drill – Hartner, Germany
- HSS-E and PM Cut and form taps form UFS, Italy
- Precision standard boring bars from SWISS Tools, Switzerland.

PARTNERS FROM EUROPE

FAHRION®
PRÄZISION

sk
the μ -maker
SCHÜSSLER



HARTNER

Precision Cutting Tools

UC Tools
Ultra Cutting Tools

SWISS  **TOOLS**

UFS



Tool Holding Systems from Germany

High Accurate . Powerful . Innovative





OUR PRODUCT RANGE (EXCERPT)

- Collet chucks, ER and ER "Mini"
- Shrink fit holder
- End mill holder weldon
- Tool holders with coolant for "Cool Tool" tool
- Shell mill holder, and many more

All tool holders are available in all standard taper shanks, such as:

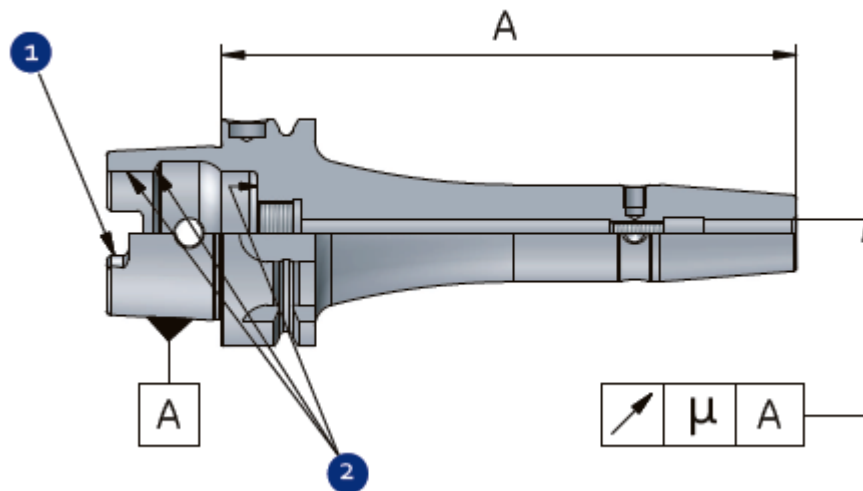
- HSK-40/50/63/100 Form A and E
- SK 40 and 50 DIN 69871 Form ADB
- MAS BT 30 / 40

All types of tool holder are available in various lengths as standard.



Tool holders with "Corum" polygon shaft, size C6 in various lengths.

QUALITY FEATURES



- 1 Hard reworked drive slots on HSK-taper guarantees:**
 - _ 100% symmetry of the HSK-slots
 - _ perfect seat and torque transfer in machine spindle

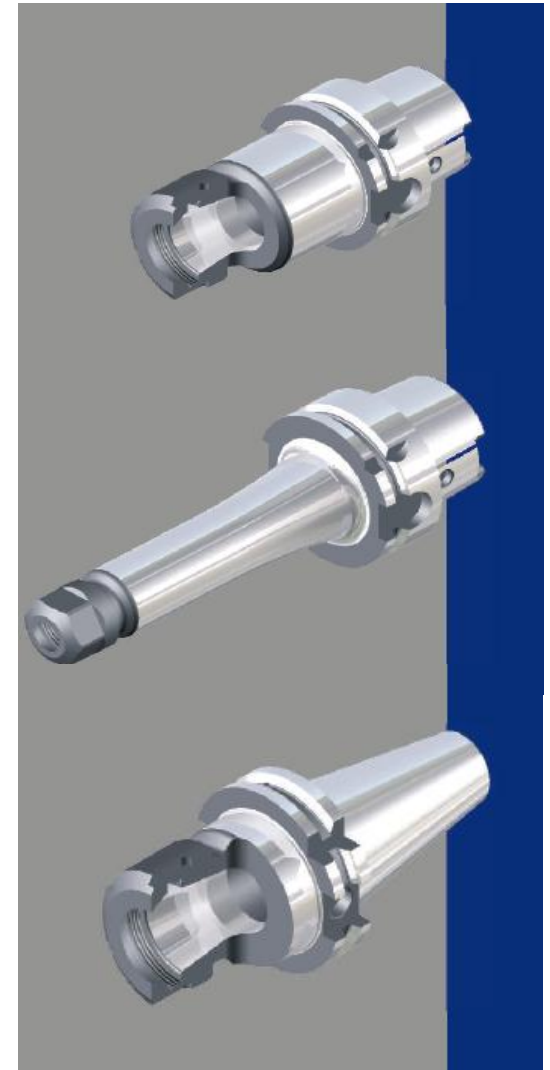
- 2 Hard reworked HSK-inside geometry guarantees:**
 - _ perfect runout of clamping shoulder (0,01 instead of 0,04 according to DIN)
 - _ highest runout accuracy
 - _ maximum clamping force in spindle
 - _ maximum radial rigidity

- 3 All toolholders fine balanced to G2,5 25.000 or max. unbalance ≤ 1 gmm, for:**
 - _ smooth and bearing protecting spindle run
 - _ longer spindle life cycle
 - _ maximum tool life
 - _ better milling surface

Runout tolerance of the different toolholdertypes:

Toolholdertype:	Runout	Runout
	A < 160	A \geq 160
Endmill holder Weldon, Collet chuck, Shrink fit holder, End mill holder Whistle Notch	$\leq 3 \mu$	$\leq 4 \mu$
Shell mill holder, Combi shell mill holder	$\leq 6 \mu$	$\leq 6 \mu$
Morse taper adapter	$\leq 8 \mu$	

PRODUCTS RANGE





Centro – P Collet Chucks and Collets

Total system
run-out 3μ

Why need
Hydro grip
chuck!!!

- maximum concentricity - 3μ
- + high holding torque
- + maximum damping
- + high stiffness
- + high balancing quality up to 30,000 rpm
- = FAHRION CENTRO|P®
- Precision Collet Chucks



GER-HPD High Precision
Coolant Collets 2 μm runout

www.fahrion.de

CENTRO|P®



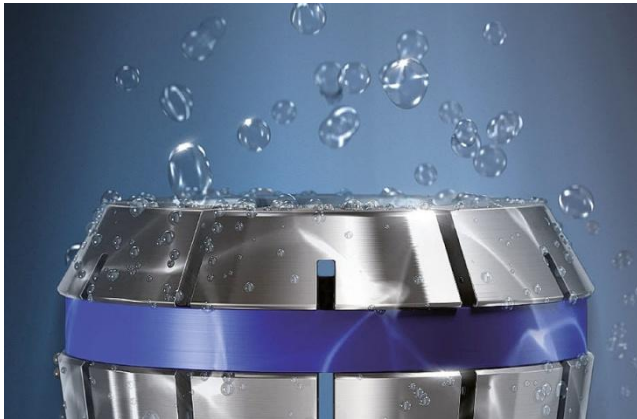
**MADE IN
GERMANY**

PRODUCTS RANGES

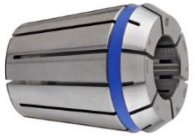
- Taper Shanks MAS/BT (JIS B 6339) - Form AD•AD/B
- Taper Shanks DIN 69871 - Form AD•AD/B
- Hollow Tapers HSK DIN 69893/ISO 12164
- Polygonal Shanks ISO 26623-1 - Form AD
- Taper Shanks CAT (ANSI B 5.50) - Form AD/B



COLLETS



FAHRION | Protect: A pioneering new technology which protects collets from corrosion in the long term



GER-HP High Precision Collets 2 μm



GER-HPD High Precision Coolant Collets 2 μm



GER-HPDD High Precision Coolant Collets with Jet Hole 2 μm



GER-GBD Tapping Collets 10 μm



GER-GBDD Tapping Collets with Jet Hole 10 μm



HARTNER

Precision Cutting Tools

- Solid carbide Drills and End Mills
- HSS, HSS E PM, M42 Drills
- Multiplex Inserted Type Drills
- Gun Drills
- Hydraulic Chucks

Solid carbide Drills Upto 40XD



Solid carbide End Mills



MULTIPLEX DRILLS UPTO Dia 108



UPTO DIA
210MM

DRILLS - HSS , HSS E,
HSS PM, M 42



GUN DRILLS – Dia 1.2 to 25
Lengths : 30D to 2 mtrs



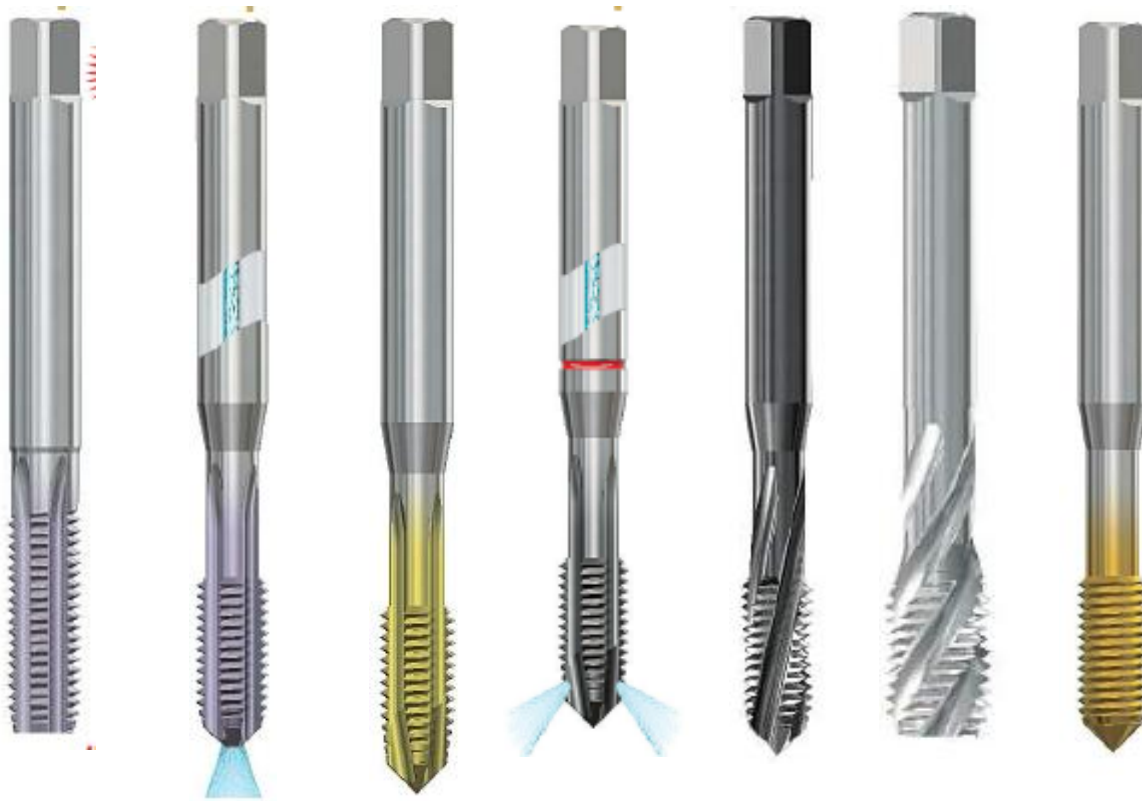
HYDRAULIC CHUCK





TAPS, MADE IN ITALY

Complete range of Taps for Automotive, aerospace,
Energy Sector and for Special Alloyed Materials –
HSS, HSSE, HSS PM Tap Material





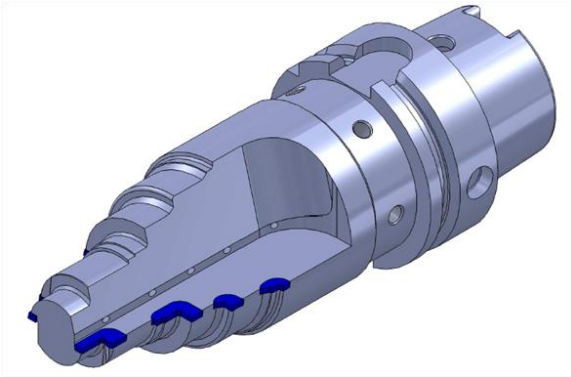
PCD /CBN Special Tools and Complex Solid Carbide Special Tools

- UC Tools, Germany- foundation 2007
- Production of Special tools:
PCD , CBN, Carbide and Cermet
- The perfect mix of Experience
Precision and reliability
- 3D Design and Collision tests
- Production on latest Precision machines
- Prefect Customer service support



- PCD Special tools
- Boring tools
- Milling cutters
- Solid carbide specials
- Cermet Tools
- CBN inserts
- Special profile PCD inserts

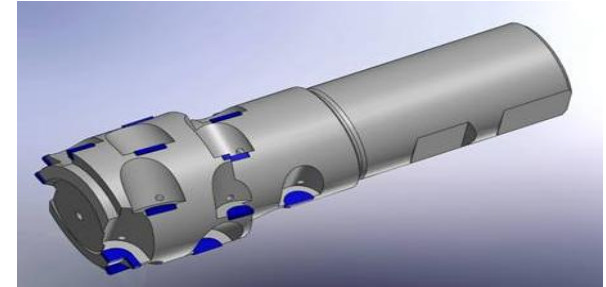




STEP TOOL

Tool holder: HSK A63

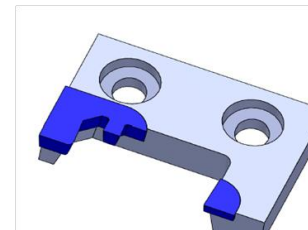
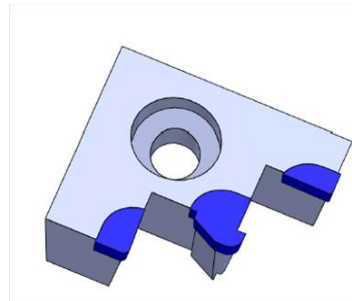
Tool with Steel Body tipped with PCD



MILLING TOOLS

Cylindrical shank tool with carbide

Body tipped with PCD



PROFILE MILLING PCD INSERT

SWISS  **TOOLS**

BORING TOOLS FROM SWITZERLAND

FINE BORING HEAD

- Boring range dia 0.5 to Dia 500



ROUGH BORING HEAD



Reg. Office & Address :

RIDDHI MACHINE TOOL TECHNOLOGY
Shed NO 2: Sy.No 41/2 GNC Industrial Estate ,
Agara Village Tataguni Post , Kanakapura Main Road
Bangalore-560062

INDIA

sales@rmtt.co.in and k.ravikumar@rmtt.co.in

+91 9945909155